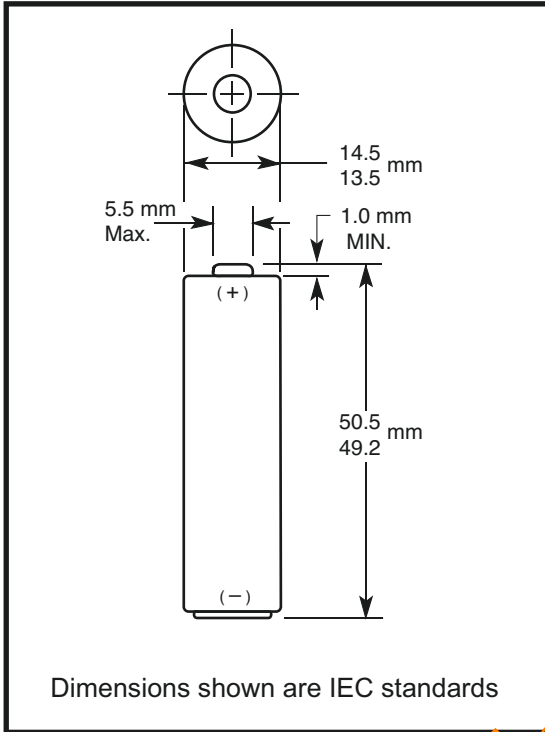


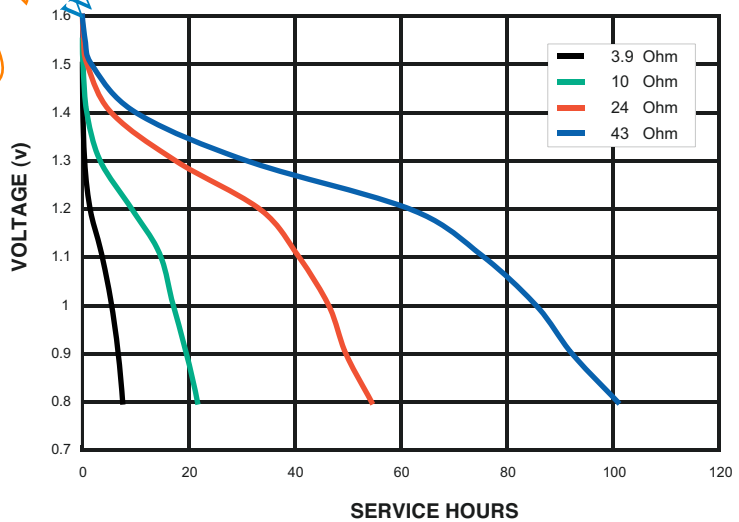
Alkaline-Manganese Dioxide Battery



Nominal Voltage:	1.5 V
Operating Voltage	1.6 - 0.75V
Impedance:	180 m-ohm @ 1kHz
Typical Weight:	24 gm (0.8 oz.)
Typical Volume:	8.4 cm ³ (0.5 in. ³)
Terminals:	Flat
Storage Temperature Range:	-20 °C to 35 °C
Operating Temperature Range:	-20 °C to 54 °C (-4 °F to 130 °F)
IEC:	LR6

MSsystems Ltd
www.msystems.gr

TYPICAL DISCHARGE CHARACTERISTICS AT 21 °C



DURACELL®
BATTERIES

Berkshire Corporate Park
Bethel, CT 06801 U.S.A.
Telephone: Toll-free 1-800-544-5454
Internet: www.duracell.com

*** Delivered capacity is dependent on the applied load, operating temperature and cut-off voltage. Please refer to the charts and discharge data shown for examples of the energy / service life that the battery will provide for various load conditions.**