

Carbide Series® SPEC-01 Red LED Mid-Tower Gaming Case

The essential gaming PC case.



Carbide Series SPEC-01 is proof that great looks, smart design, and durable construction don't need to be pricy, and that basic doesn't need to be boring. You get aggressive styling, a huge side panel window for admiring your components, and an LED-lit front intake fan that draws cool air directly to your graphics cards.

Inside, there's room for up to five fans, and the four combination hard drive / SSD trays make storage installation and upgrades quick and easy. Cable routing cutouts help you reduce clutter, and the built-in dust filters help protect your components. Up front, the USB 3.0 connector gets you up to speed with the latest high-performance storage devices.

Huge side panel window

The aggressive look of the SPEC-01 makes it look great on the outside, but there's beauty on the inside of a well-built system, too. The large side panel window lets you show it off.



LED front intake fan, with room for more

The 120mm front intake fan is bathed in soft LED lighting, and it's oriented to draw cool air directly across your graphics cards. And if you want even more ventilation, you can add a second 120mm fan or even dual 140mm fans.

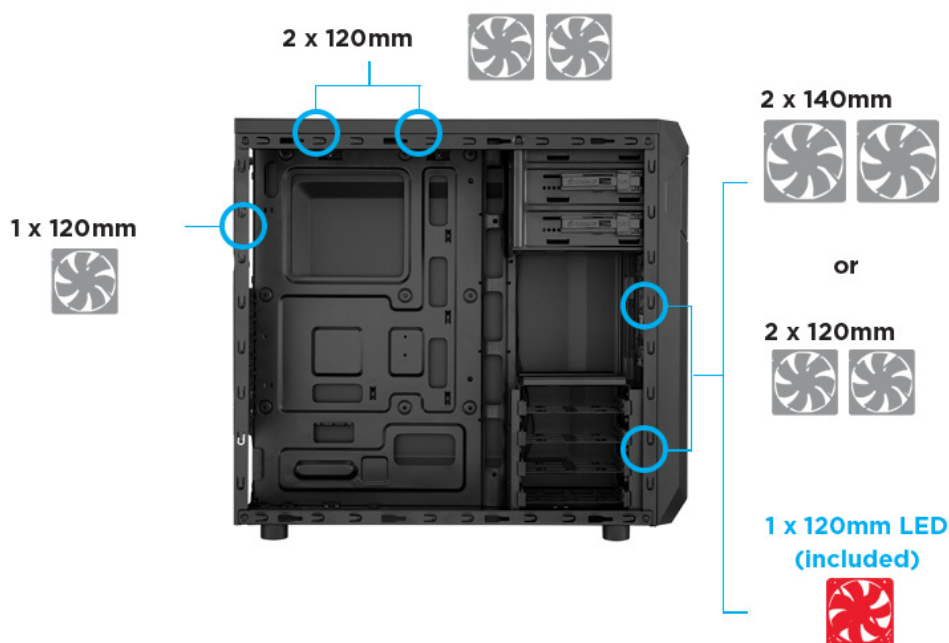


Flexible cooling potential

Like all Corsair cases, the SPEC-01 is designed for cooling, so you're covered if you're overclocking, running multiple GPUs, or if you just want more airflow. There are mounting points for up to five fans, including dual front 140mm or 120mm fans, dual 120mm fans on top, and a rear 120mm fan.

Easy system builds, maintenance and upgrades

Builds should be easy, no matter what your budget. 3.5" drive installation is tool-free, and you get cable routing holes for neater-looking builds and better airflow. And, there's a CPU cutout to allow for cooling upgrades without removing the motherboard. The front intake fan filters help keep dust out of the interior, and the front panel has a USB 3.0 port for fast performance from USB flash drives and portable hard drives.



Multiple drive bays

You might not build a system with four hard drives or SSDs, but with SPEC-01, you can if you want. In addition to the two standard 5.25" optical drive bays, there are four built-in 3.5" / 2.5" combo drive bays for mechanical hard drives or solid-state drives.



Tech Specs

Warranty

Two years

Model

CC-9011050-WW (Black)

Weight

4.8 kg

Color

Black & Arctic White

Form Factor

Mid-tower

Dimensions

4794mm x 200mm x 430mm

Motherboard Support

Mini ITX, Micro ATX, ATX

Maximum GPU Length

414mm

Maximum CPU Cooler Height

150mm

Maximum PSU Length

230mm

Expansion Slots

7

Drive Bays

(x2) 5.25in

(x4) Combo 3.5in/ 2.5in

Material

Steel

Power Supply

ATX (not included)

External Connections

(x1) USB 3.0

(x1) USB 2.0

(x1) Headphone Port

(x1) Microphone Port

Fan Mount Locations

Front: (x2) 120mm/140mm

Top: (x2) 120mm

Rear: (x1) 120mm

Fans Included

Front: (x2) 120mm

Radiator Mount Locations

Rear: 120mm

Compatible Corsair Liquid Coolers

H55, H60, H75, H80

Msystems Ltd.
www.msystems.gr